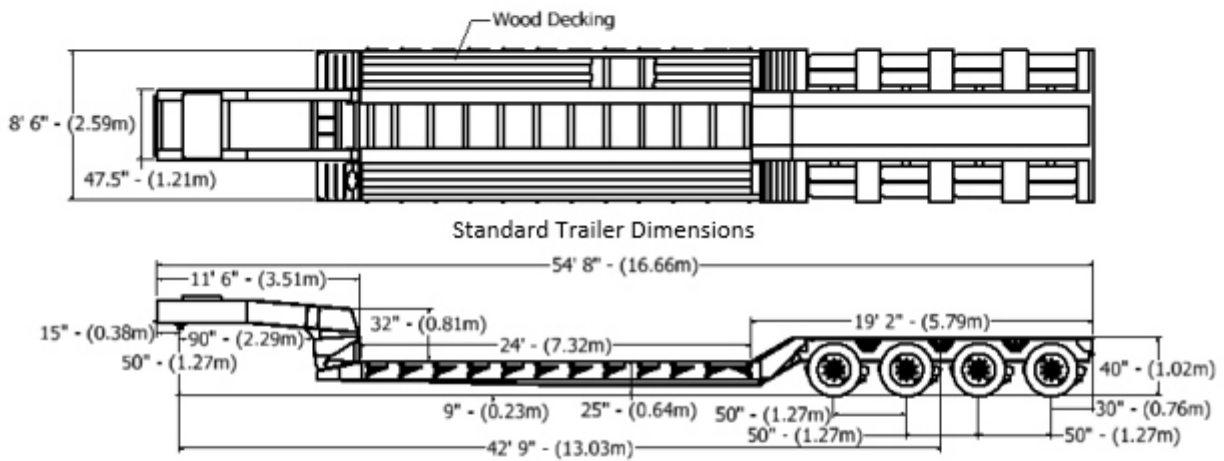




# Model: RG - 100

Ground Bearing Removable Gooseneck

Overall Length	Overall Width	Gooseneck Length	Deck Length	Deck Height	Tail Length	Tail Height	Ground Clearance
54' 8"	8' 6"	11' 6"	24'	25"	19' 2"	40"	9"



Weight	Capacity	200,000 lbs.
<b>Gooseneck</b>		
King Pin Style	Fixed	
King Pin Setting	15"	
Swing Clearance	90"	
5 <sup>th</sup> Wheel Height	50"	
King Pin	2"	
Ride Height Adj.	N/A	
<b>Main Deck</b>		
Main Beam	W18x119 Beams A992 Grade 50	
Centers	40" Standard	
Side Beams	W16x26 A992 Grade 50	
Crossmembers	W8x10 A992 Grade 50	
Spacing	14" Standard	
Outriggers	12" Cast Iron, 12 Each Side	
# of D-Rings	3 per Side	
Front Ramps	Optional	
Concentrated Load	200,000 lbs. (Within a 16' Span)	
<b>Tail Section</b>		
Riser	30°	
<b>Electrical</b>		
Lights	Sealed Modular Wire Harness	
Connector	7 Way Connector	
<b>Hydraulics</b>		
Cylinder (2)	8" Bore w/ 22" Stroke	
Control Valve	2,500 psi	
Engine:	13 HP Electrical Start – Pump: 1 GPM	

<b>GVWR</b>	
<b>Axle, Suspension, &amp; Running Gear</b>	
# of Axles	4 Air Suspension Axles
Axle Spacing	50"
Axle Capacity	30,000 lbs.
Brakes	16 1/2" x 7" – 30,000 lbs.
ABS	Optional
<b>Decking / Flooring</b>	
Main Decking	2" Oak Lumber (Open Center)
<b>Wheel Assembly</b>	
Tires	12 R 22.5
Rims	8.25 x 22.5 Steel Wheels
<b>Finish</b>	
Anticorrosive Undercoat – 2 Coats Epoxy Primer	
2 Coats Gloss Acrylic Enamel Top Coat	
Mud Flaps & Reflective Tape	
<b>Popular Options</b>	
Additional Deck Length up to 28'	
Aluminum Wheels	
Apitong Wood Decking	
Beavertail w/ Ramps	
Bucketwell	
Combo Wet Line & Power System	
Covered Wheels (Welded or Removable)	
Flush Bed Hooks	
Lockable Storage	
T-1 100ksi (Main Frame)	